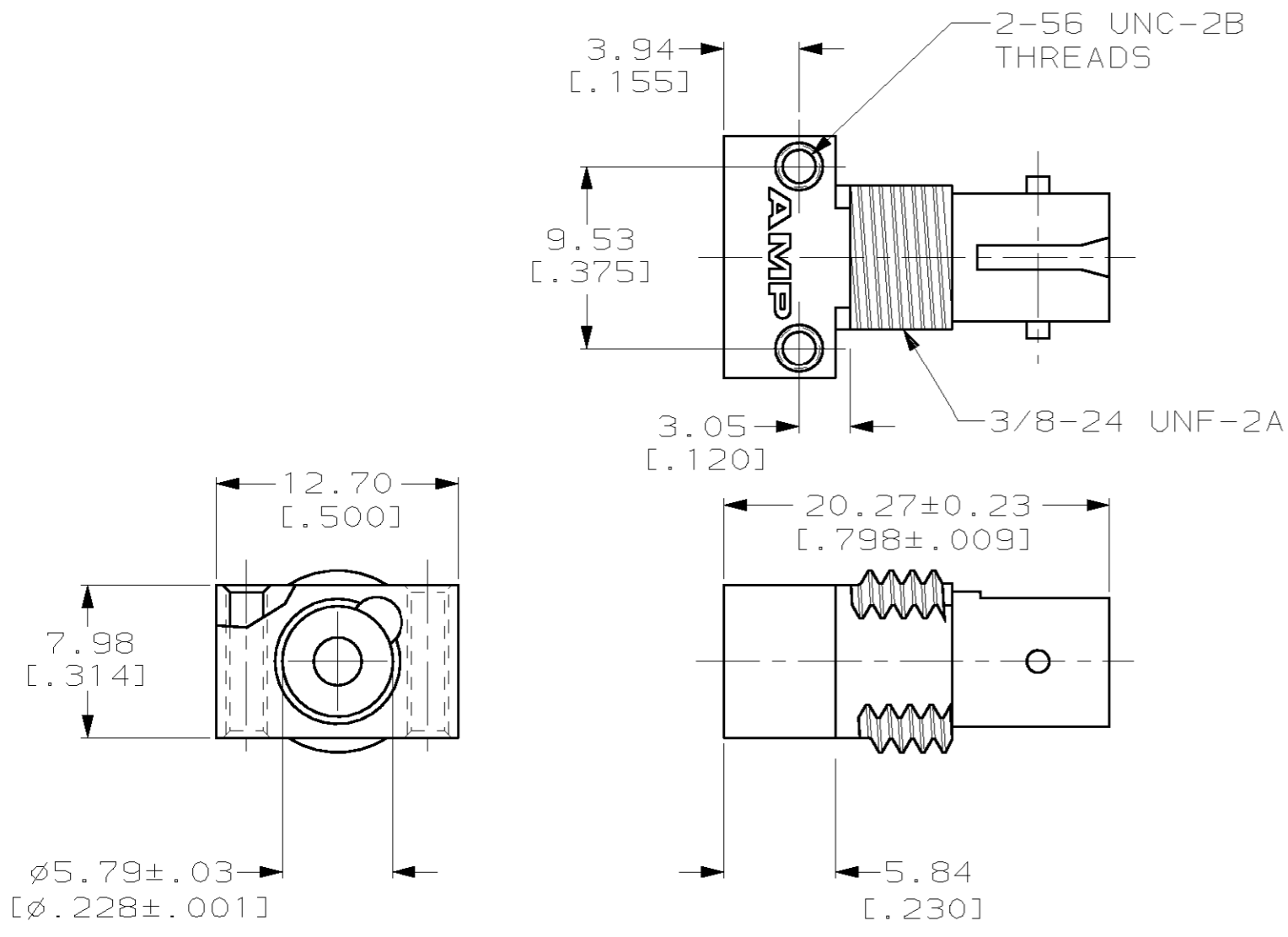
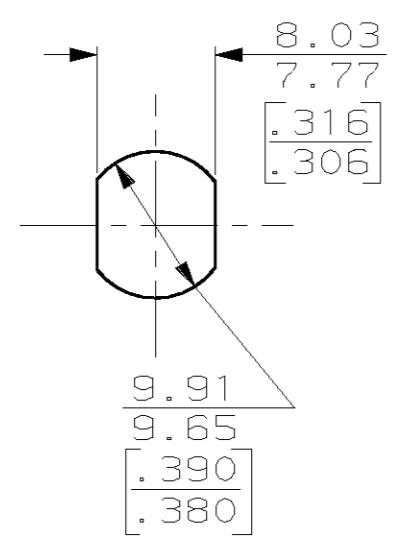
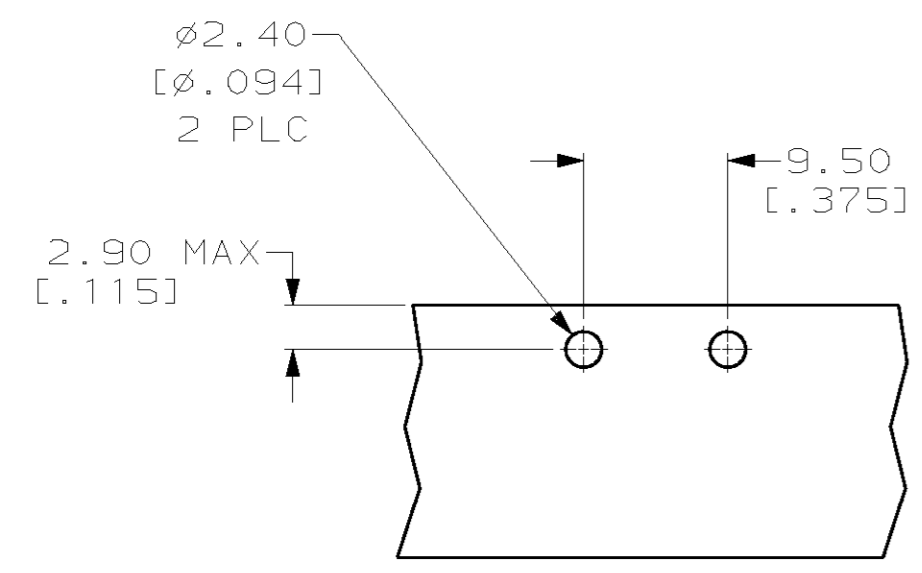
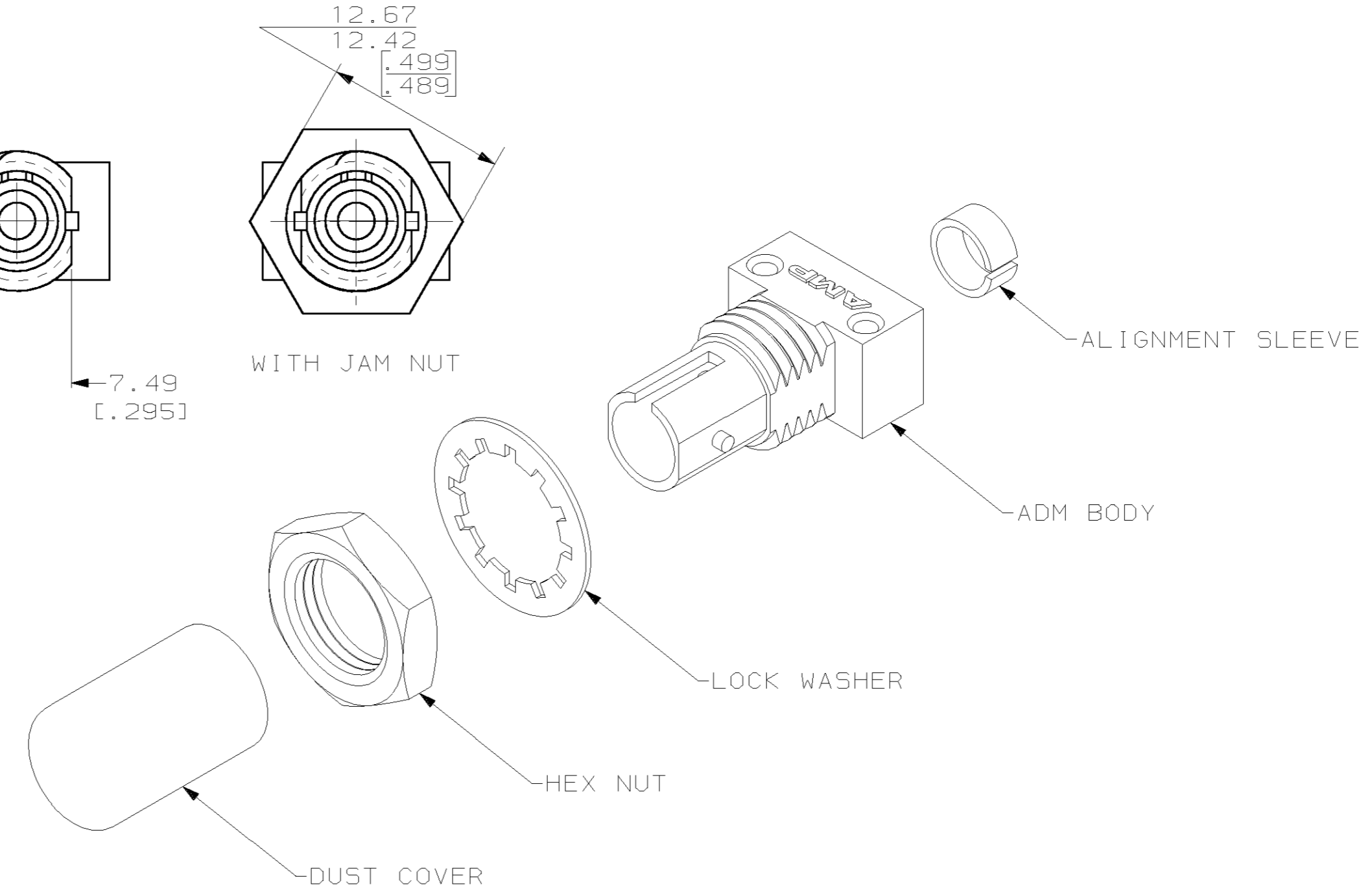


THIS DRAWING IS UNPUBLISHED. RELEASED FOR PUBLICATION .19  
 (C) COPYRIGHT 19 BY AMP INCORPORATED. ALL RIGHTS RESERVED.

LOC	DIST	REVISIONS			
P	LTR	DESCRIPTION	DATE	DWN	APVD
CE	16	G	REDRAWN AND REV PER EC 0A00-0895-99	30NOV99	TG L5



- 1 BULK PACKAGED IN QUANTITIES OF 50 PC.
- 2. DIMENSIONS IN [ ] ARE IN INCHES.
- 3 KIT COMES WITH NO NUT,NO WASHER.



3	504022-5
OBSOLETE	504022-4
1	504022-3
	504022-2
OBSOLETE	504022-1
	PART NO

THIS DRAWING IS A CONTROLLED DOCUMENT.		DWN E. HALEY 9/24/92	AMP Incorporated Harrisburg, PA 17105-3608	
DIMENSIONS: mm [INCHES]		CHK P. YEAGER 9/29/92	NAME D. FISHER	
TOLERANCES UNLESS OTHERWISE SPECIFIED: 0 PLC ±- 1 PLC ±- 2 PLC ±.13 [.005] 3 PLC ±- 4 PLC ±- ANGLES ±- FINISH -		APVD 9/29/92	PRODUCT SPEC - APPLICATION SPEC -	
MATERIAL	-	WEIGHT	-	RESTRICTED TO
CUSTOMER DRAWING		SCALE NTS	SHEET 1 OF 1	REV G